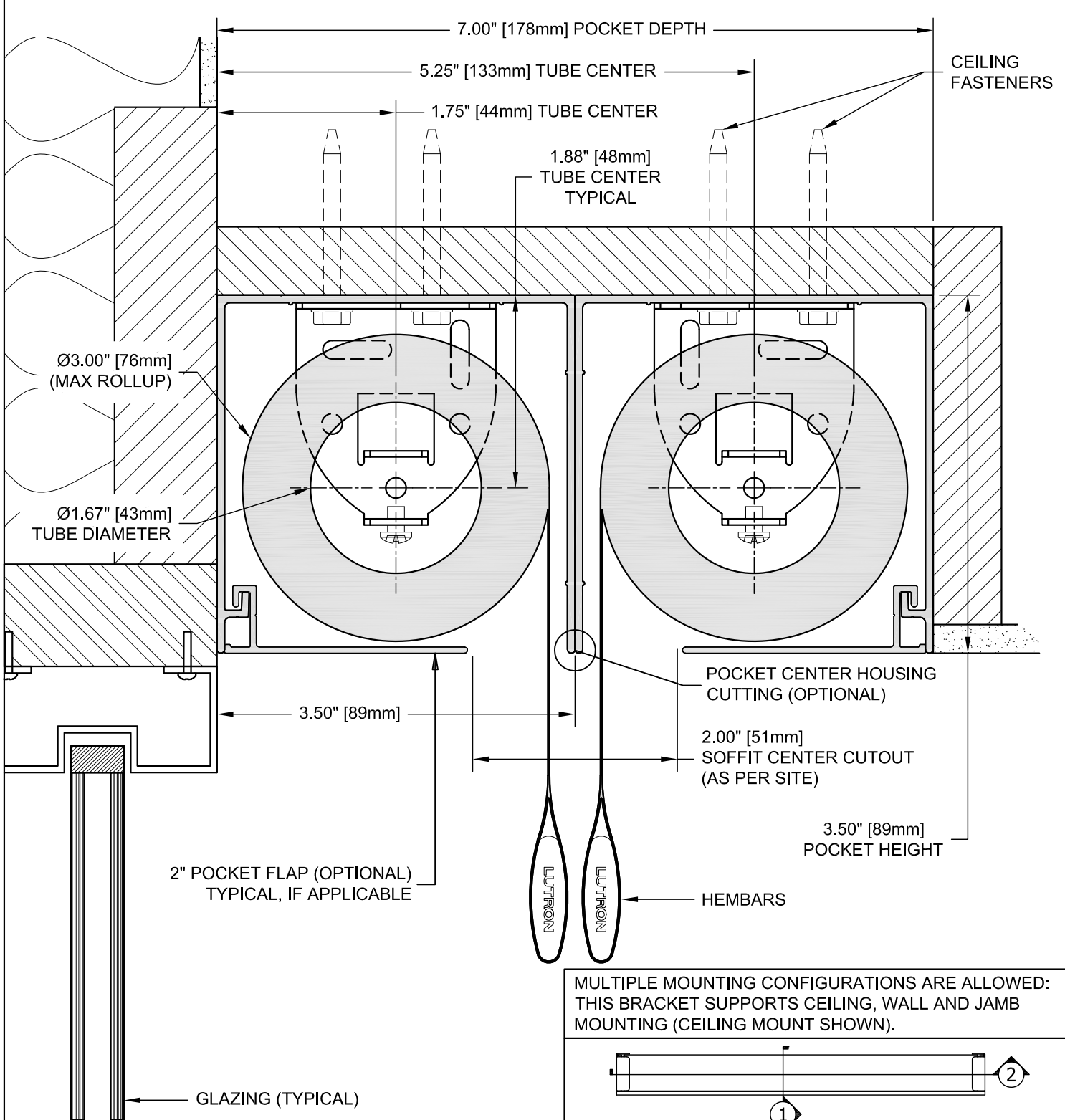
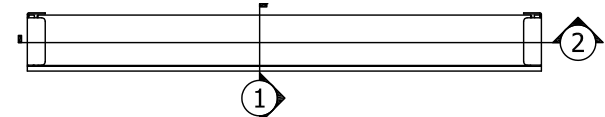


ROLLER 64

UNIVERSAL MOUNT DUAL SHADE IN 3.5"x7" POCKET



MULTIPLE MOUNTING CONFIGURATIONS ARE ALLOWED:
 THIS BRACKET SUPPORTS CEILING, WALL AND JAMB
 MOUNTING (CEILING MOUNT SHOWN).



LEGEND (TOP VIEW)

SHADE INSTALLED AS PROVIDED BY FACTORY WILL HAVE ALL NECESSARY CLEARANCES FOR PROPER OPERATION. IF ADJUSTMENT FEATURES ARE UTILIZED, IT IS THE RESPONSIBILITY OF THE INSTALLER TO ENSURE PROPER CLEARANCES ARE MAINTAINED. NOT ALL ADJUSTMENTS ARE AVAILABLE AT MAXIMUM ROLL Ø.

ROLLER 64

085421C

SCALE: 3/4

VIEW: 1

REVISION: A

SECTION VIEW